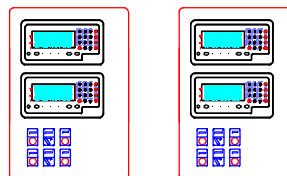
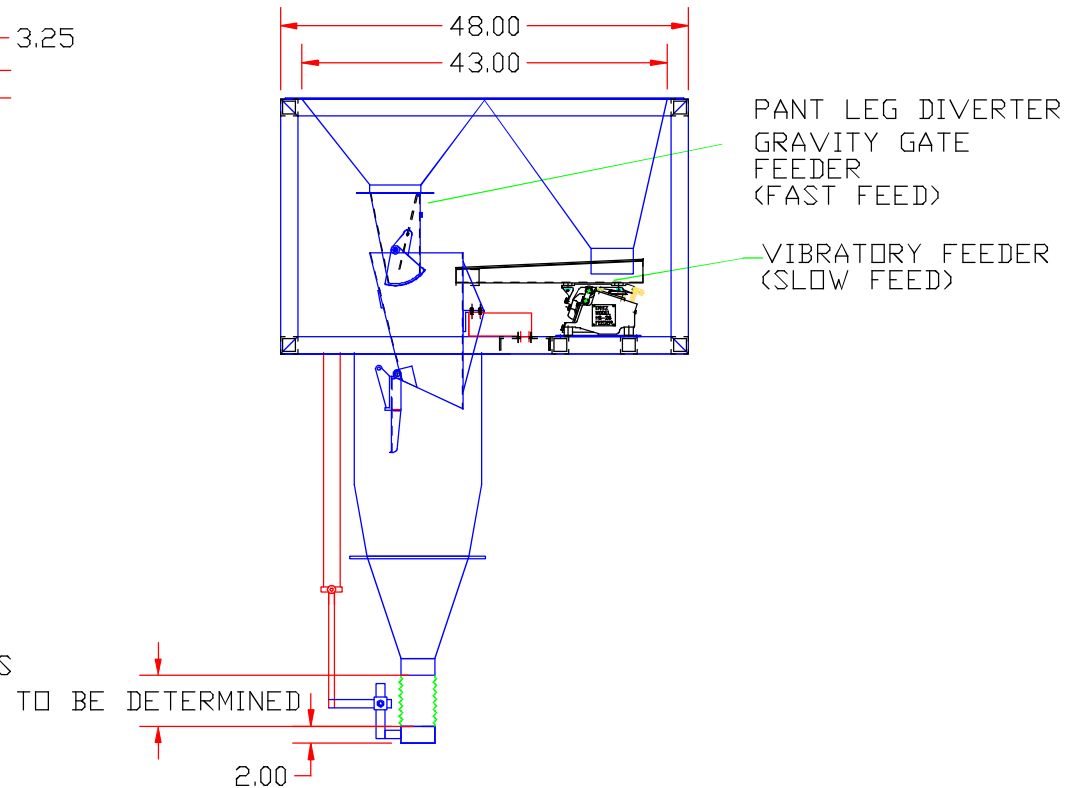
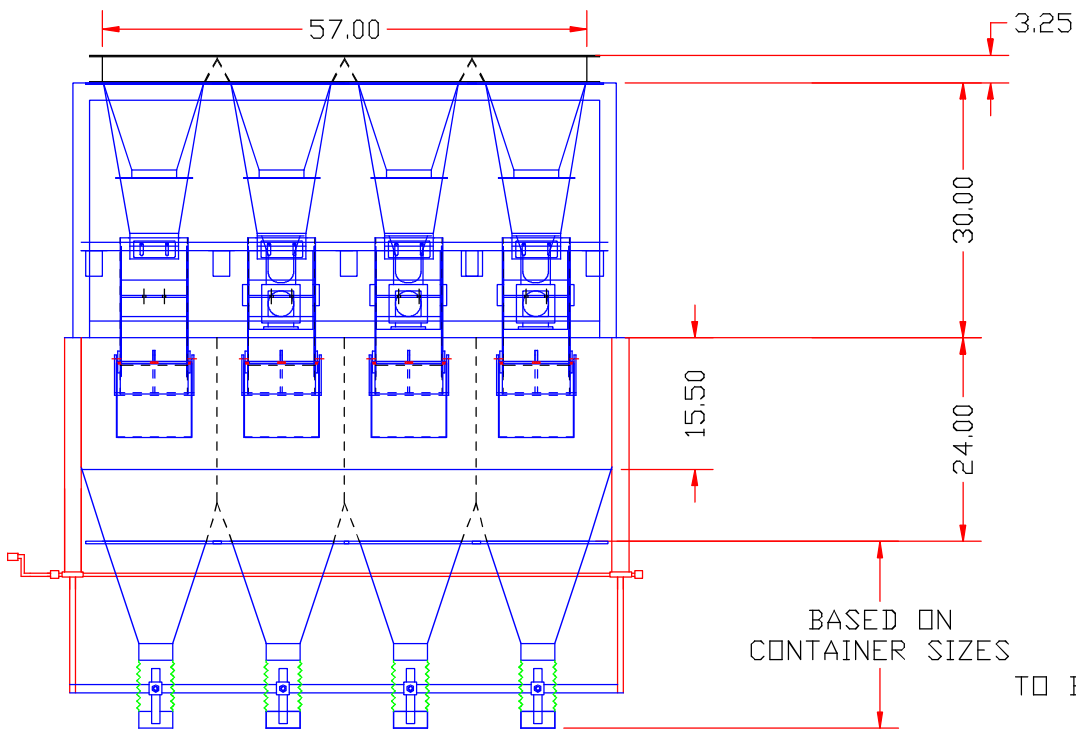


REV. A	JEM INTERNATIONAL, INC.			
REV. B	6873 MARTINDALE RD. SHAWNEE, KANSAS 66218 (913) 441-4788			
REV. C	NAME SMNW4 FOURPLEX SCALE (2 CONTROLLERS), QUAD DISCHARGE FLOATING NOZZLE ASSEMBLY			
REV. D				
REV. E	FOR			
REV. F	TOLERANCE	MATERIAL	SCALE D.N.S.	PART NUMBER
REV. G	DRAWING NUMBER SMNW4-1	DRAWN BY COUGHLIN	DATE 02-12-15	PART NUMBER



DUAL 423 WEIGHT BASED
PROCESS CONTROLLERS