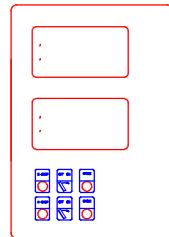
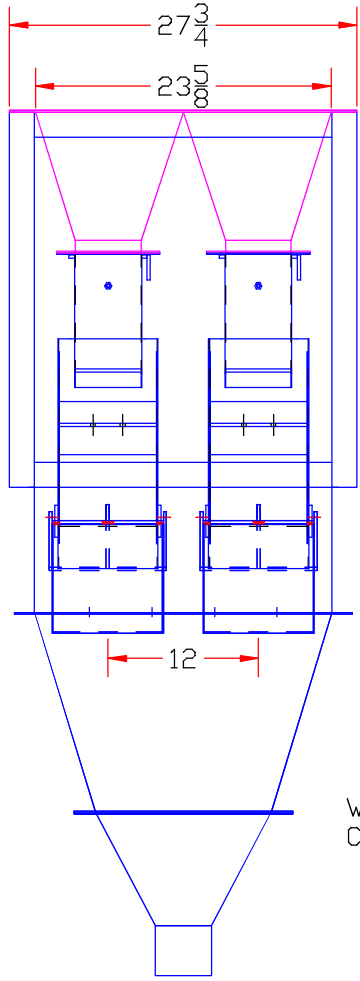


REV. A	<i>JEM INTERNATIONAL, INC.</i>			
REV. B	6873 MARTINDALE SHAWNEE, KANSAS 66218 (913) 441-4787			
REV. C	NAME SMNW2-GG-D DUPLEX FALCON SCALE			
REV. D	FOR			
REV. E				
REV. F	TOLERANCE	MATERIAL	SCALE D.N.S.	PART NUMBER
REV. G	DRAWING NUMBER SMNW2-GG	DRAWN BY COUGHLIN	DATE 01-14-15	PART NUMBER



WEIGHT BASED PROCESS CONTROLLER

