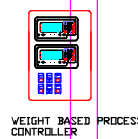
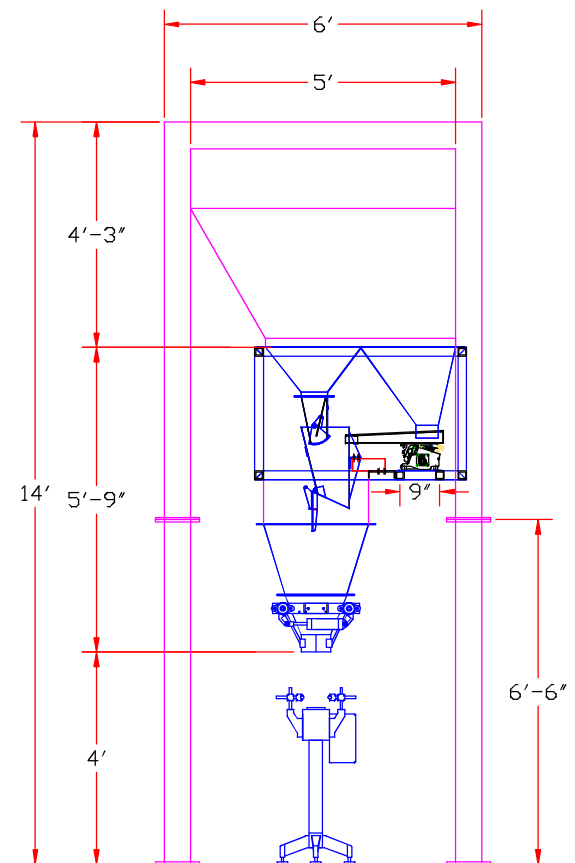
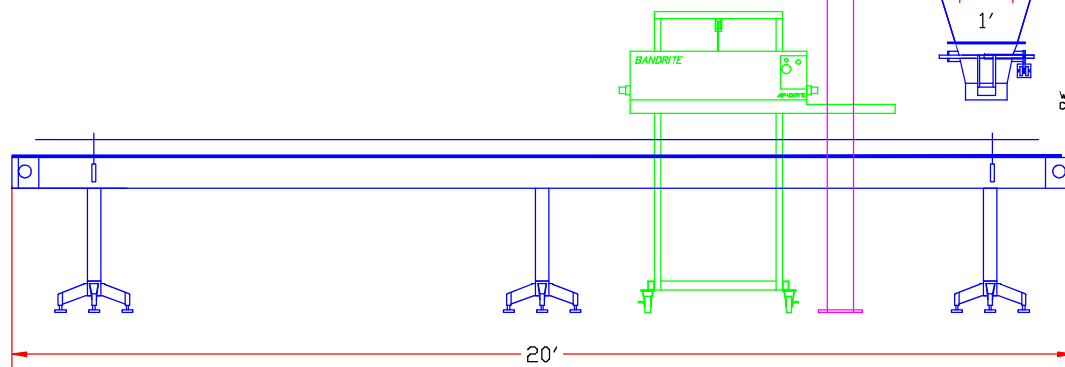
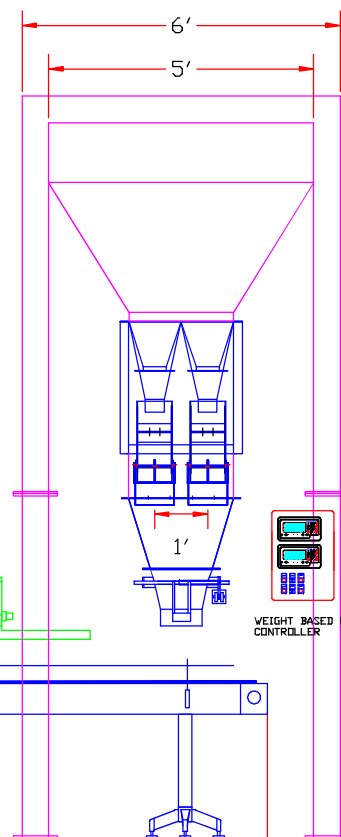
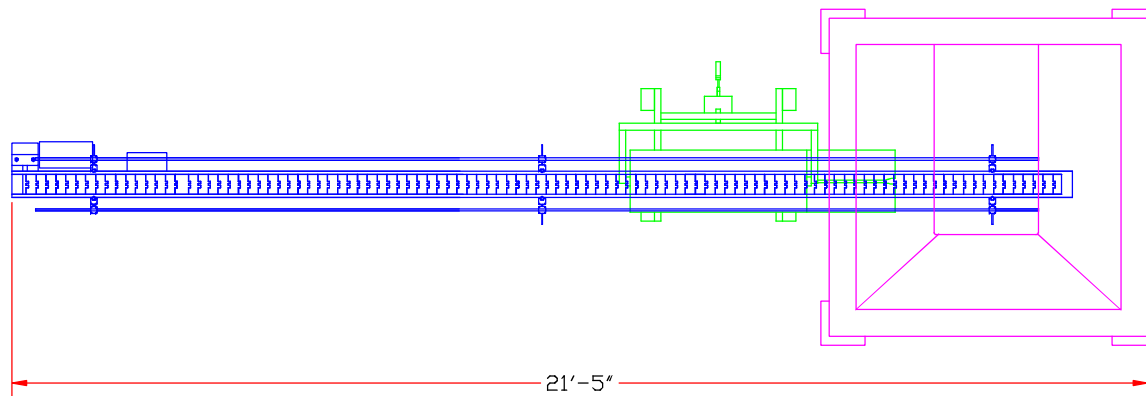


REV. A	<i>JEM INTERNATIONAL, INC.</i>		
REV. B	6873 MARTINDALE	SHAWNEE, KANSAS 66218	(913) 441-4788
REV. C	NAME SMNW-2 DOUBLE FALCON NET WEIGH SCALE, TT-20 CONVEYOR, PACKRITE HEAT SEALER		
REV. D	FOR		
REV. E			
REV. F	TOLERANCE	MATERIAL	SCALE D.N.S.
REV. G	DRAWING NUMBER SMNW2-TT20-37	DRAWN BY COUGHLIN	DATE 09-12-14



WEIGHT BASED PROCESS CONTROLLER