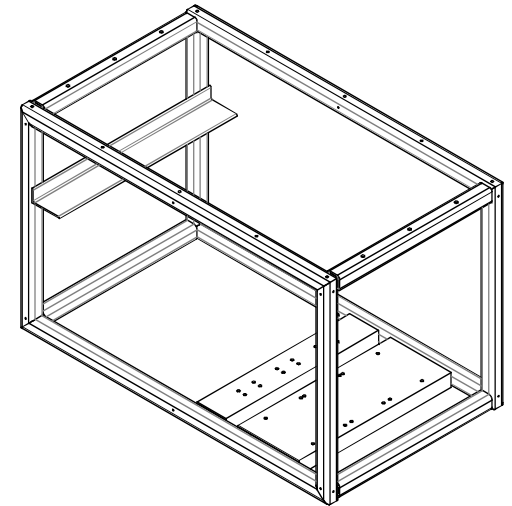
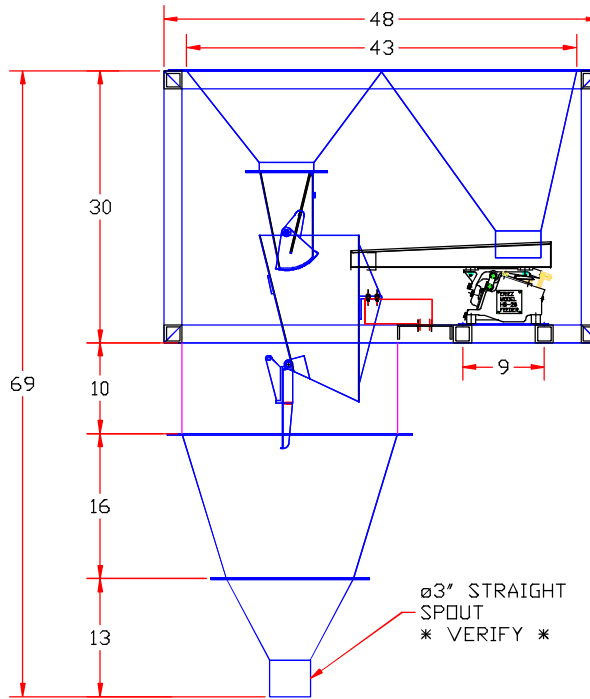
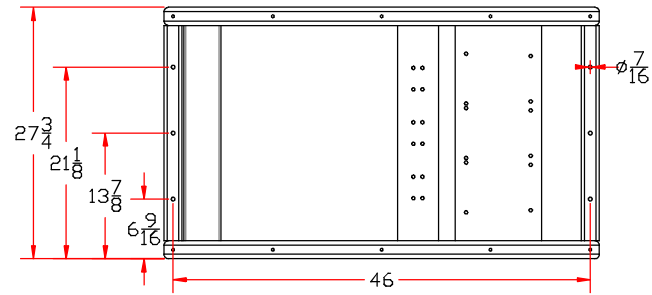


WEIGHT BASED PROCESS CONTROLLER

WAND SWITCH



REV. A	<i>JEM INTERNATIONAL, INC.</i>		
REV. B	6873 MARTINDALE SHAWNEE, KANSAS 66218 (913) 441-4788		
REV. C	NAME SMNW-2-GV DOUBLE FALCON SCALE		
REV. D	FOR		
REV. E			
REV. F	TOLERANCE	MATERIAL	SCALE D.N.S.
REV. G	DRAWING NUMBER SMNW2_GV_4	DRAWN BY COUGHLIN	DATE 08-19-15