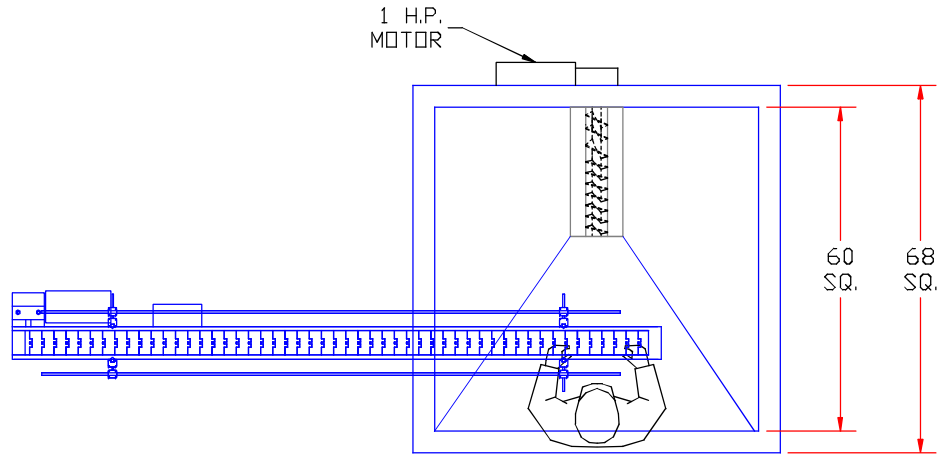


REV. A	<i>JEM INTERNATIONAL, INC.</i>		
REV. B	6873 MARTINDALE RD. SHAWNEE, KANSAS 66218 (913) 441-4788		
REV. C	NAME SMNW1-AUG. FALCON AUGER FED NET WEIGH SCALE, 37 CU' HOPPER WITH LID, HIGH/ LOW BINDICATORS, MODEL TT-10 CONVEYOR (SEALER BY OTHERS)		
REV. D			
REV. E	FOR		
REV. F	TOLERANCE	MATERIAL	D.N.S.
REV. G	DRAWING NUMBER	DRAWN BY	DATE
	SMNW1-AUG-37-TT10	COUGHLIN	08-06-14



37 CU' HOPPER AND LID WITH HIGH/ LOW LEVEL BINDICATOR

