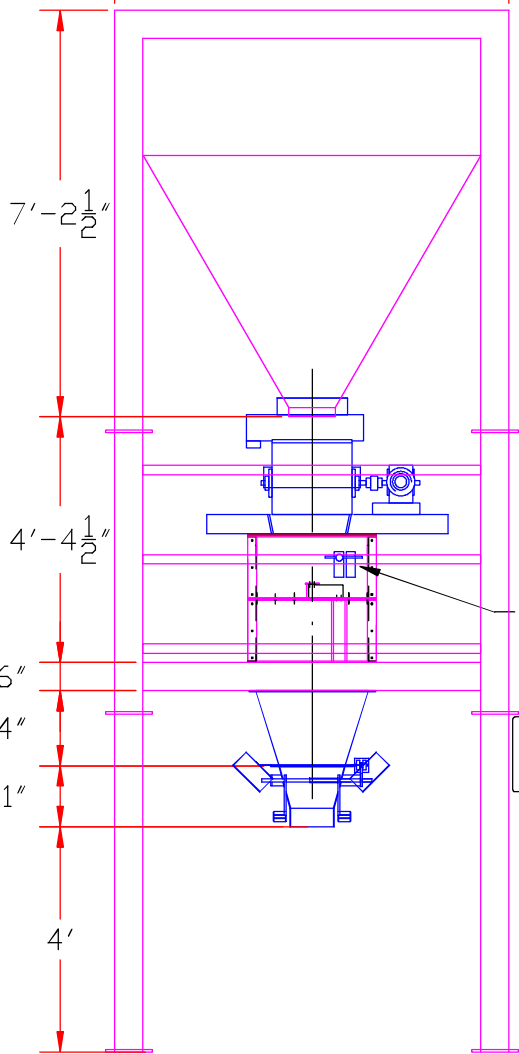
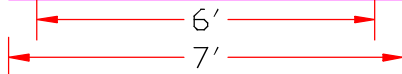
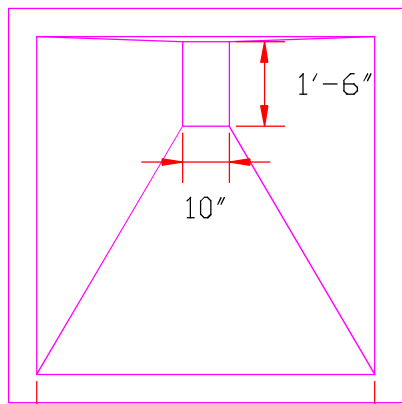


REV. A	JEM INTERNATIONAL, INC.			
REV. B	6873 MARTINDALE	SHAWNEE, KANSAS 66218	(913) 441-4788	
REV. C	NAME NW1-FBF-D BELT FED BAGGING SCALE			
REV. D	FOR			
REV. E				
REV. F	TOLERANCE	MATERIAL	SCALE D.N.S.	PART NUMBER S.S.
REV. G	DRAWING NUMBER NW1-FBF-HOP	DRAWN BY COUGHLIN	DATE 08-01-14	PART NUMBER M.S.



PNEUMATICS-
90 PSI @ 6 SCFM

