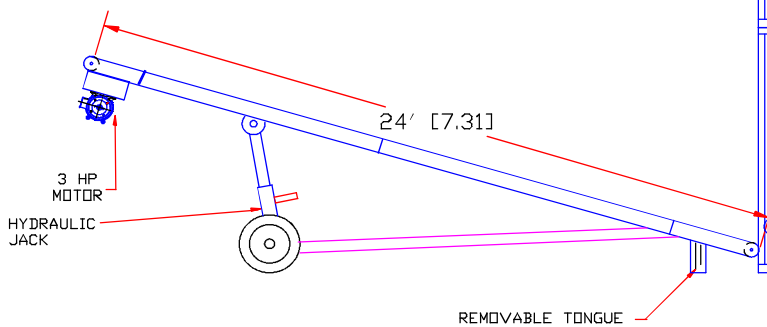
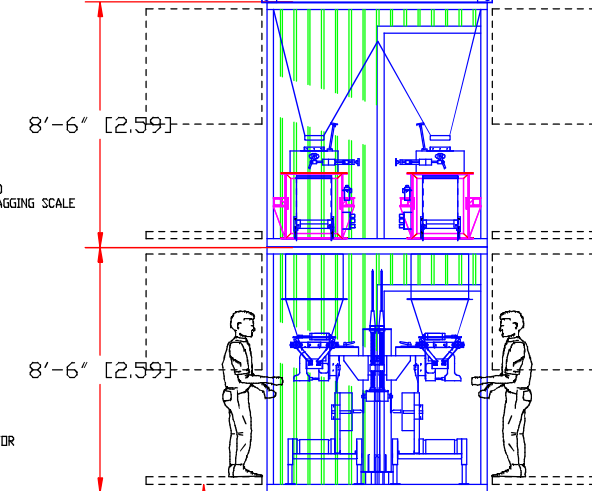
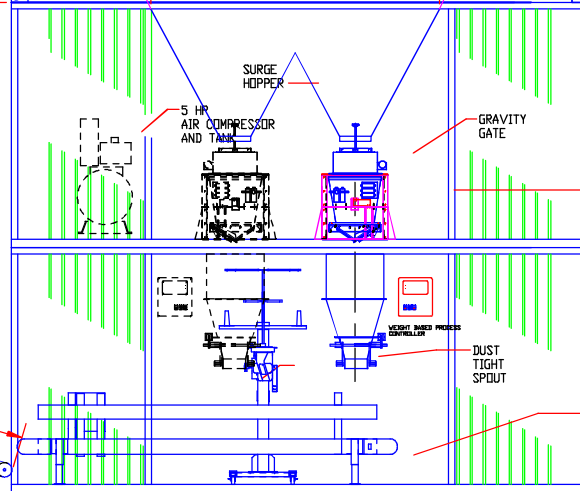


NOTE:  
 ALL EQUIPMENT NOTED ON FRONT VIEW SHALL BE DUPLICATED ON OPPOSITE SIDE OF CONTAINERS ( TWO BAGGING LINES PER SYSTEM ).  
 END VIEW SHOWS CONVEYORS FOR BOTH BAGGING LINES (FOR REFERENCE). BALANCE



ACCESS PLATFORMS AND DOORS CLOSE SECURELY WHEN NOT IN USE.

REV. 1	<b>JEM INTERNATIONAL, INC.</b>			
REV. 2	6873 MARTINDALE RD. SHAWNEE, KANSAS 66218 (913) 441-4788			
REV. 3	NAME	MOBILE BAGGING SYSTEM		
REV. 4		(2 LINES) NWI-HO-GG-2-D		
REV. 5		(2) 24' PORTABLE CONVEYORS		
REV. 6	TOLERANCE	MATERIAL	APPROVED BY	DATE
REV. 7	DRAWING NUMBER SBP279	PART NUMBER	DRAWN BY COUGHLIN	DATE 11-19-14