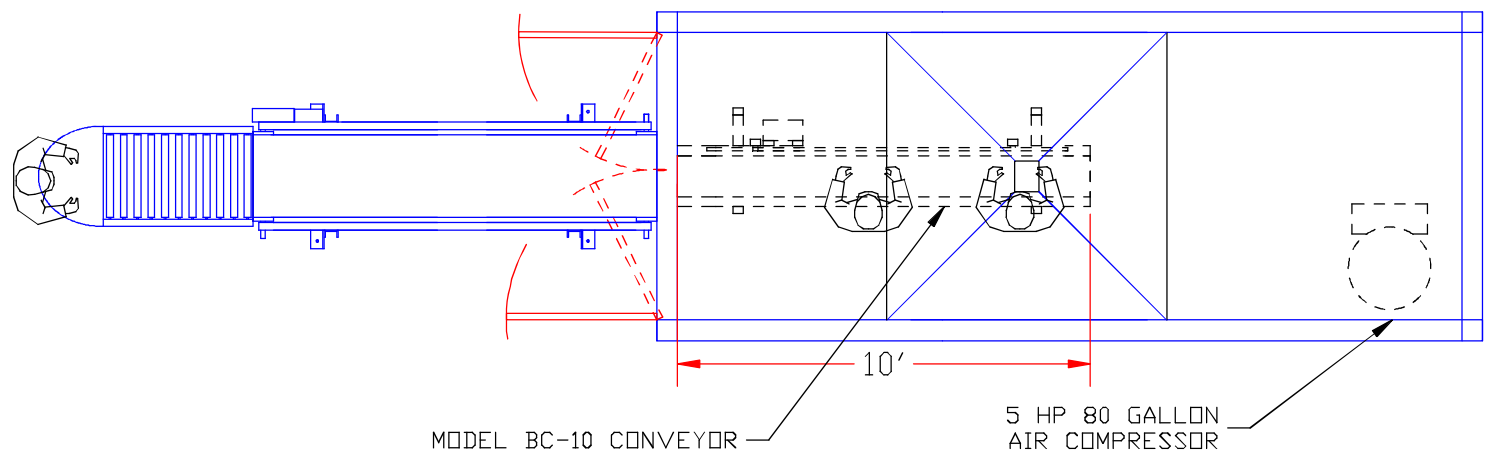
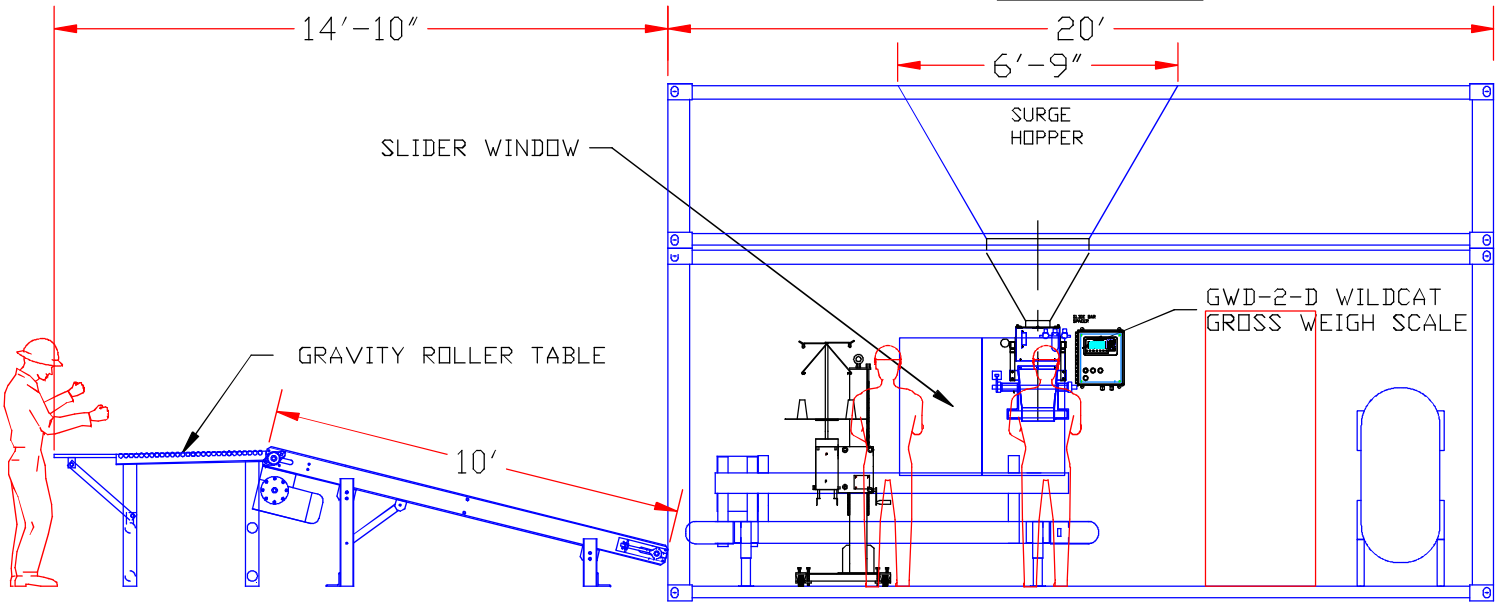


REV. 1	JEM INTERNATIONAL, INC.			
REV. 2	6873 MARTINDALE RD. SHAWNEE, KANSAS 66218 (913) 441-4788			
REV. 3	NAME MOBILE BAGGING SYSTEM			
REV. 4	GWD WILDCAT SCALE, BC-10 CONVEYOR, SEWING PEDESTAL, 10' INCLINE, GRAVITY ROLLER			
REV. 5	FOR			
REV. 6	TOLERANCE	MATERIAL	APPROVED BY	DATE
REV. 7	DRAWING NUMBER SBP281A	PART NUMBER	DRAWN BY COUGHLIN	DATE 05-18-15

TOP VIEW



FRONT VIEW



END VIEW

