

REV. 1  
 REV. 2  
 REV. 3  
 REV. 4  
 REV. 5  
 REV. 6  
 REV. 7

**JEM INTERNATIONAL, INC.**

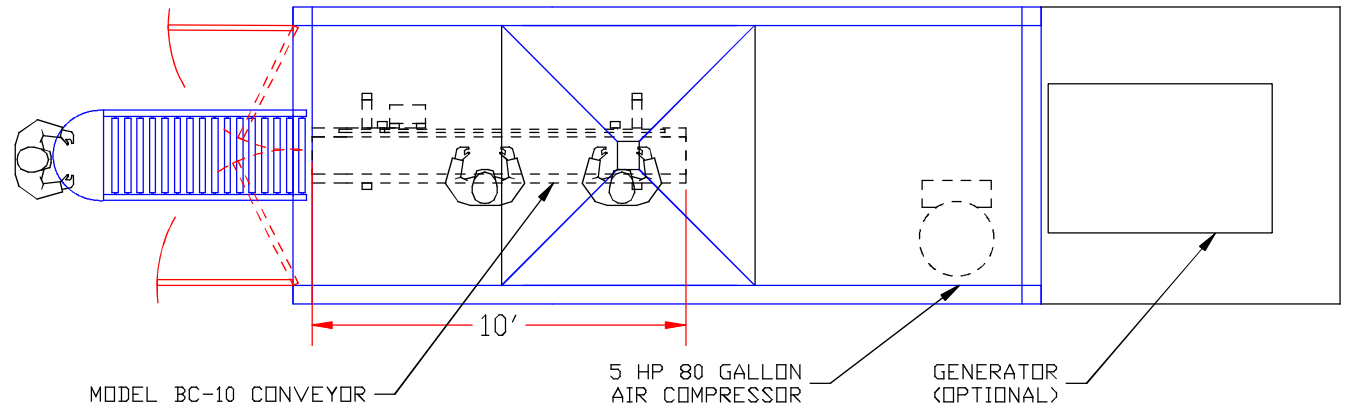
6873 MARTINDALE RD. SHAWNEE, KANSAS 66218 (913) 441-4788

NAME  
 MOBILE BAGGING SYSTEM  
 GWD WILDCAT SCALE, BC-10 CONVEYOR,  
 SEWING PEDESTAL, GRAVITY ROLLER

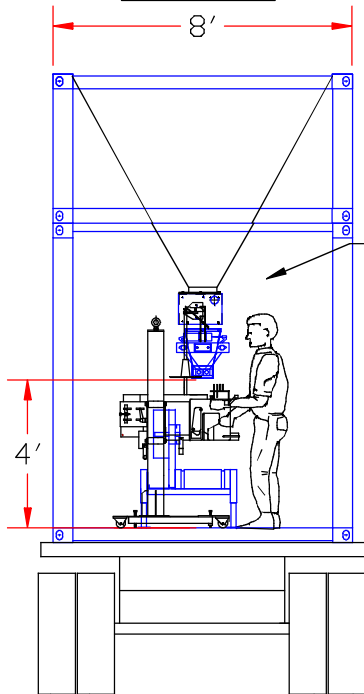
FOR

TOLERANCE	MATERIAL	APPROVED BY	DATE
DRAWING NUMBER SBP281	PART NUMBER	DRAWN BY COUGHLIN	DATE 05-18-15

TOP VIEW



END VIEW



FRONT VIEW

