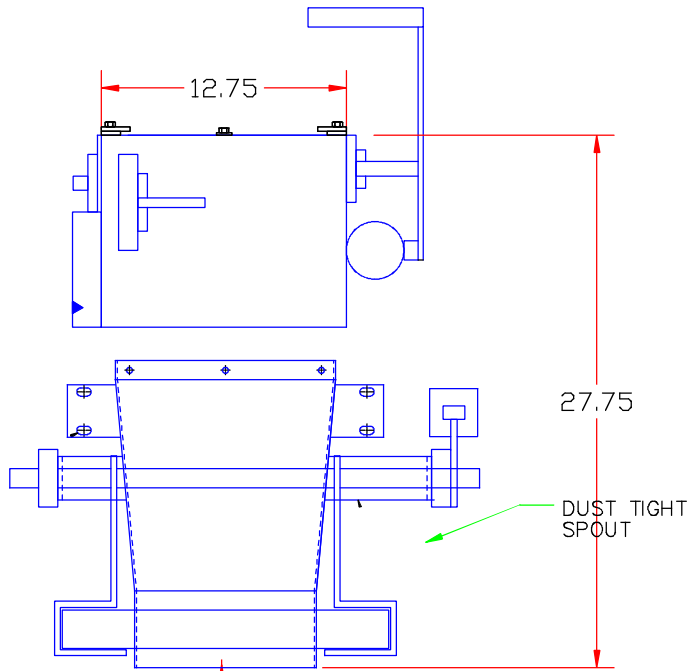
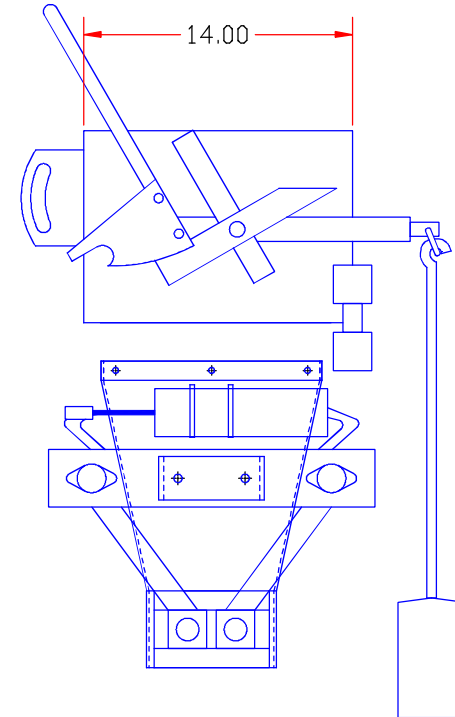


OPENING IN HOPPER MUST NOT EXCEED 7" ACROSS THE FRONT AND 9" FRONT TO REAR



48.00
TO FLOOR
TYP.



REV. 1	JEM INTERNATIONAL, INC.			
REV. 2	6873 MARTINDALE RD. SHAWNEE, KANSAS 66218 (913) 441-4788			
REV. 3	NAME GWM-S-DT WOLVERINE GROSS BAGGING SCALE			
REV. 4	FDR			
REV. 5				
REV. 6	TOLERANCE	MATERIAL	SCALE D.N.S.	PART NUMBER
REV. 7	DRAWING NUMBER GWM-DT	DRAWN BY COUGHLIN	DATE 05-22-14	PART NUMBER