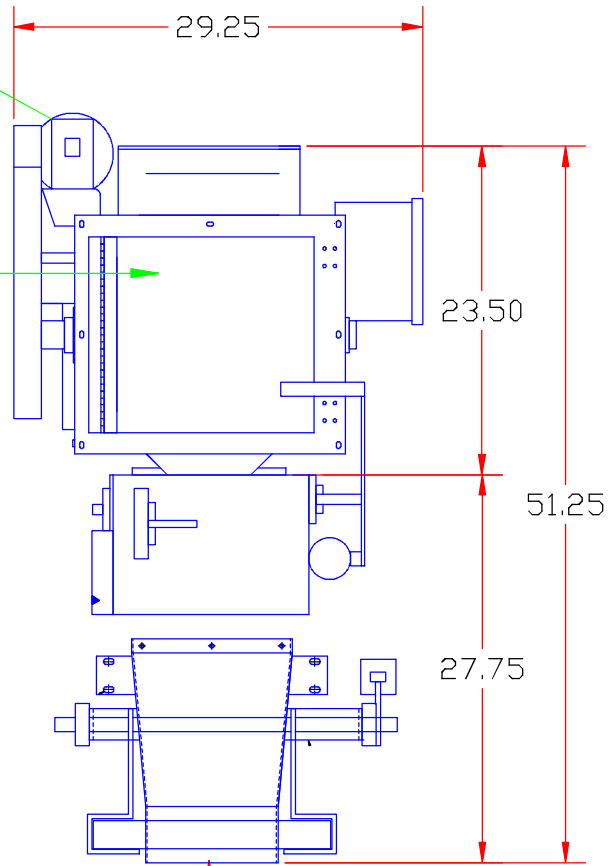


MOTOR OMITTED
ON SIDE VIEW

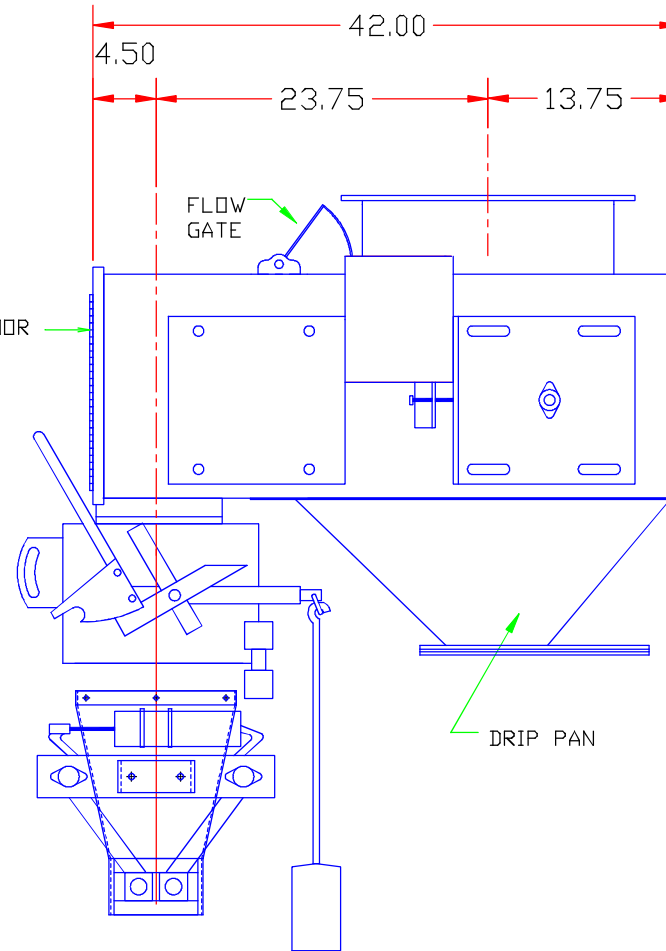
HINGED DOORS
FOR EASY ACCESS



48.00
TO FLOOR
TYP.

NOTE: SUPPORT FOR BELT FEEDER SHOULD BE
ADDED TO FRONT EDGE OF BELT FEEDER

HINGED DOOR



REV. 1	JEM INTERNATIONAL, INC.			
REV. 2	6873 MARTINDALE RD. SHAWNEE, KANSAS 66218 (913) 441-4788			
REV. 3	NAME GWM-S-FBF WOLVERINE GROSS BAGGING SCALE WITH BELT FEEDER			
REV. 4	FDR			
REV. 5				
REV. 6	TOLERANCE	MATERIAL	SCALE D.N.S.	PART NUMBER
REV. 7	DRAWING NUMBER GWM-BF-DT	DRAWN BY COUGHLIN	DATE 05-22-14	PART NUMBER