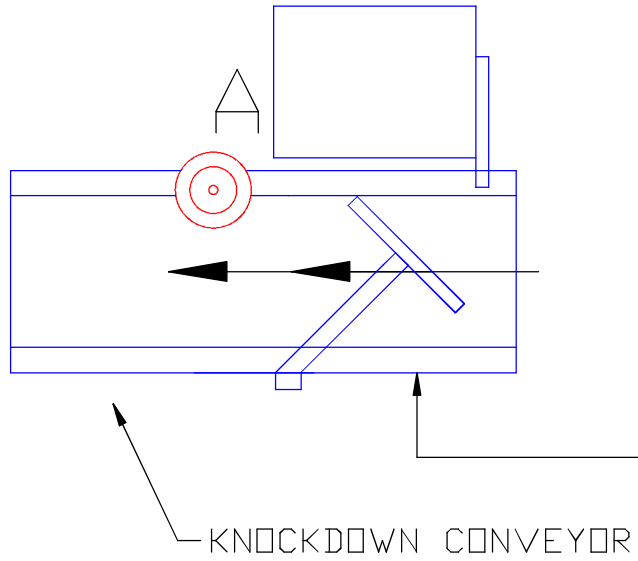


REV. A	<i>JEM INTERNATIONAL, INC.</i>			
REV. B	6873 MARTINDALE RD. SHAWNEE, KANSAS 66218 (913) 441-4788			
REV. C	NAME			
REV. D	5' KNOCKDOWN CONVEYOR			
REV. E	FOR			
REV. F	TOLERANCE	MATERIAL	SCALE D.N.S.	PART NUMBER
REV. G	DRAWING NUMBER KD OPT.	DRAWN BY COUGHLIN	DATE 09-04-14	PART NUMBER



BAG FACE
THIS SIDE

